

# INQUIRY FOR ROLL SHELL

CUSTOMER DATA

COMPANY NAME : \_\_\_\_\_ DATE : \_\_\_\_\_  
 ADDRESS : \_\_\_\_\_ PHONE : \_\_\_\_\_  
 ZIP CODE: \_\_\_\_\_ CITY : \_\_\_\_\_ FAX N° : \_\_\_\_\_  
 VAT N° : \_\_\_\_\_ PERSON IN CHARGE : \_\_\_\_\_

MACHINE MODEL \_\_\_\_\_

PRODUCT TYPE \_\_\_\_\_

DIE MODEL \_\_\_\_\_

ROLL SHELL DIMENSIONS

INSIDE DIAMETER \_\_\_\_\_

OUTSIDE DIAMETER \_\_\_\_\_

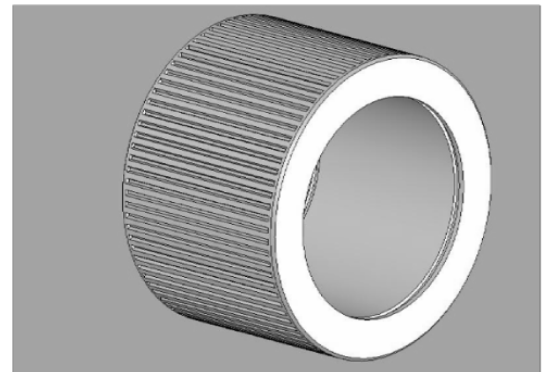
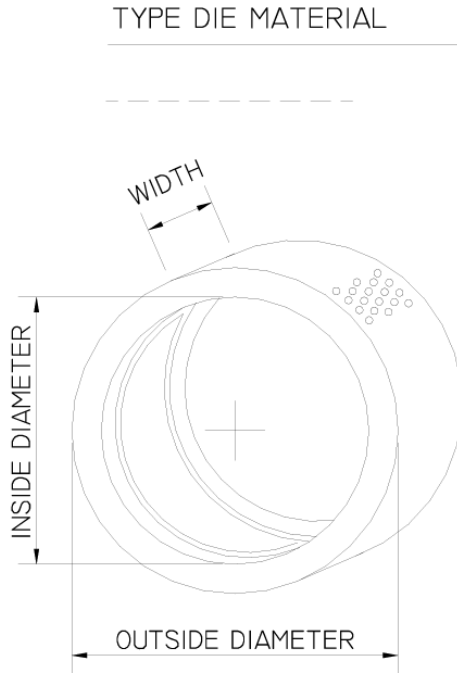
WIDTH \_\_\_\_\_

HOLES SPECIFICATION

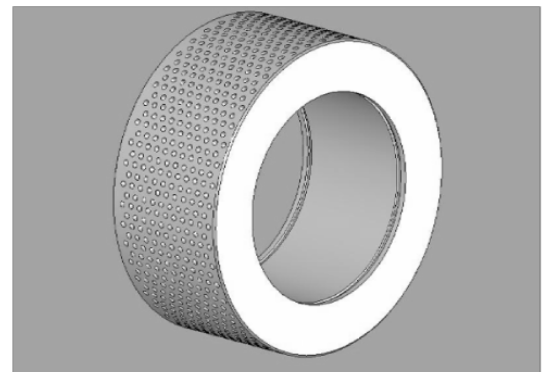
HOLES NUMBER \_\_\_\_\_

ROWS NUMBER \_\_\_\_\_

HOLE DØ \_\_\_\_\_



PARTIALLY FLUTED ROLLER SHELL



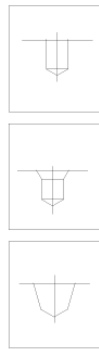
DRILLED ROLLER SHELL

TYPE OF HOLE

DRILLED \_\_\_\_\_

DIMPLED \_\_\_\_\_

TAPER \_\_\_\_\_

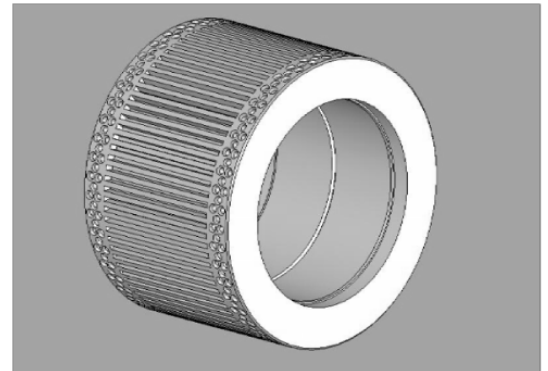
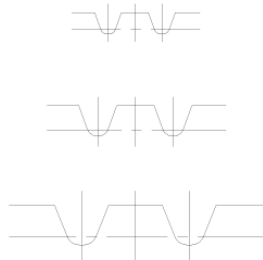


TYPE OF TOOTH

THIN CORRUGATED \_\_\_\_\_

MEDIUM CORRUGATED \_\_\_\_\_

STRONG CORRUGATED \_\_\_\_\_



FLUTED & BOTH SIDE DRILLED ROLLER SHELL

CORRUGATION MAY BE PARTIALLY FLUTED AND TOTALLY FLUTED



## GENERAL DIES

Via Strà 182 - 37030 Colognola ai Colli - VR  
 Tel. +390457650600 Fax. +390457650245  
 www.generaldies.com info@generaldies.com