

# PELLET MILL

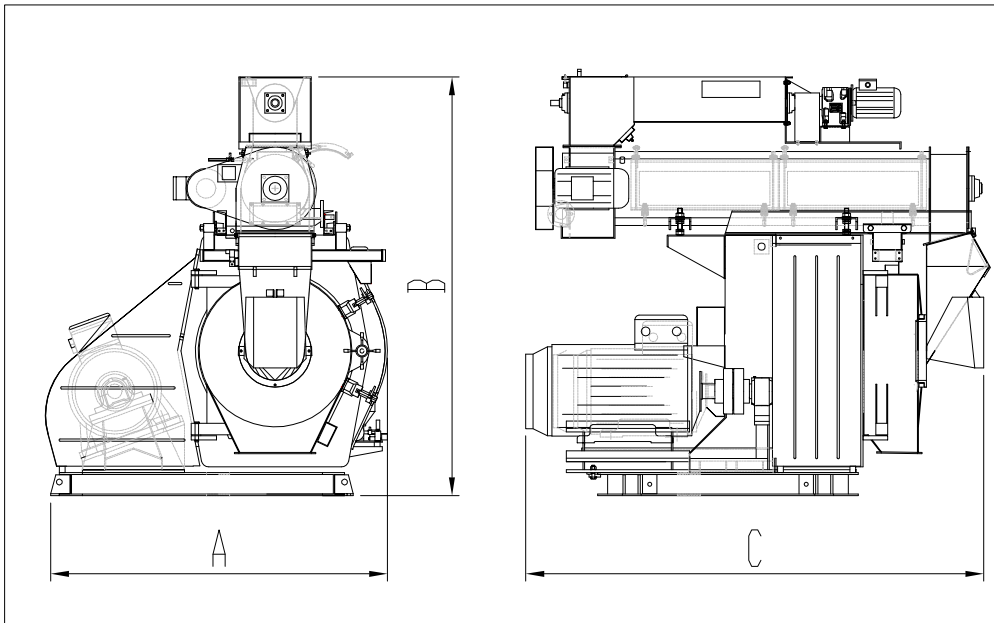


MACHINES, EQUIPMENT AND WEAR PARTS FOR PELLETING PLANTS

Via Strà 182 - 37030 Colognola ai Colli - VR Tel. +390457650600 Fax. +390457650245  
www.generaldies.com info@generaldies.com



# PELLET MILL



Model	Dimension (mm)			Power (kW)	Weight (biggest motor) (t)
	A	B	C		
EI20	1020	2200	1000	11 4p	0.3
				15 4p	
CHI 3	1220	2700	1740	37 4p	1.6
				45 4p	
				55 4p	
				37 6p	
ETA 36	1945	2015	2020	45 6p	3.6
				55 4p	
TAU 4	2150	2290	2910	75 4p	5.5
				90 4p	
				110 4p	
				110 6p	
				132 6p	
DELTA 50	2295	2620	2920	110 4p	7.5
				132 4p	
				160 4p	
ALFA 56	2325	2895	3205	132 4p	9
				160 4p	
				200 6p	
OMEGA 67	2575	2835	3915	132 6p	9.4
				200 6p	
				250 6p	
C 88	3100	3145	3415	N°2x132 6p	15
				N°2x160 4p	
				N°2x200 6p	

MACHINES, EQUIPMENT AND WEAR PARTS FOR PELLETING PLANTS

Via Strà 182 - 37030 Colognola ai Colli - VR Tel. +390457650600 Fax. +390457650245  
[www.generaldies.com](http://www.generaldies.com) [info@generaldies.com](mailto:info@generaldies.com)



**GENERAL DIES**